

Hoi, Mijn naam is Jason!

Reverend Jason Moore(pants)

Sports Biomechanics Lab
Mechanical and Aeronautical Engineering Department
University of California, Davis

September 22, 2008

Introduction

Not so interesting facts

Undergraduate years...

Projects

Jobs

Graduate years...

Davis

Sports Biomechanics Lab

In my spare time..

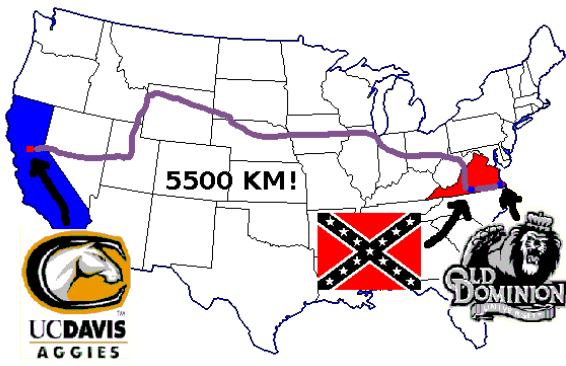
The Fam

- ▶ Age: 26
- ▶ Height: 183 cm — that's short in the Netherlands!
- ▶ Born and raised in Danville, Virginia, USA



Education

- ▶ Undergraduate: **Old Dominion University** in Norfolk, Virginia
- ▶ Graduate studies: **University of California** in Davis, California



Old Dominion University - Norfolk, Virginia



Old Dominion University - Norfolk, Virginia



Old Dominion University - Norfolk, Virginia



Old Dominion University - Norfolk, Virginia



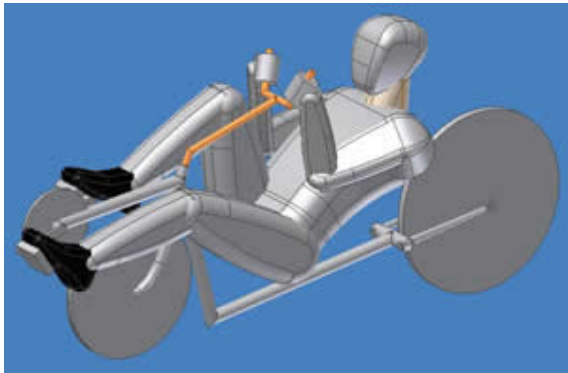
SAE - Formula and Baja



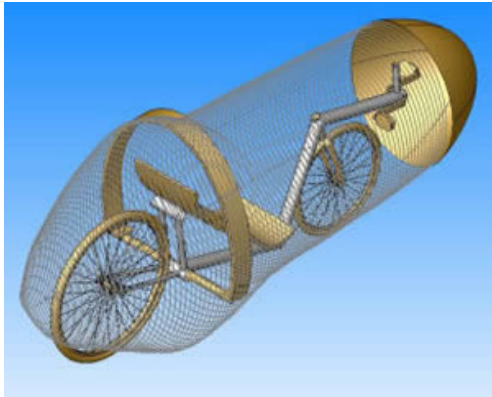
SAE - Formula and Baja



ASME - Human Powered Vehicle



ASME - Human Powered Vehicle



ASME - Human Powered Vehicle



ASME - Human Powered Vehicle



Bauer Compressors



Bauer Compressors

Industrial Air



Bauer Compressors



Outline

Introduction

Undergraduate years...

Graduate years...

Projects

Jobs

Maglev



Moore

Hoi, Mijn naam is Jason!

Langley Full Scale Tunnel (30 X 60 ft Tunnel)

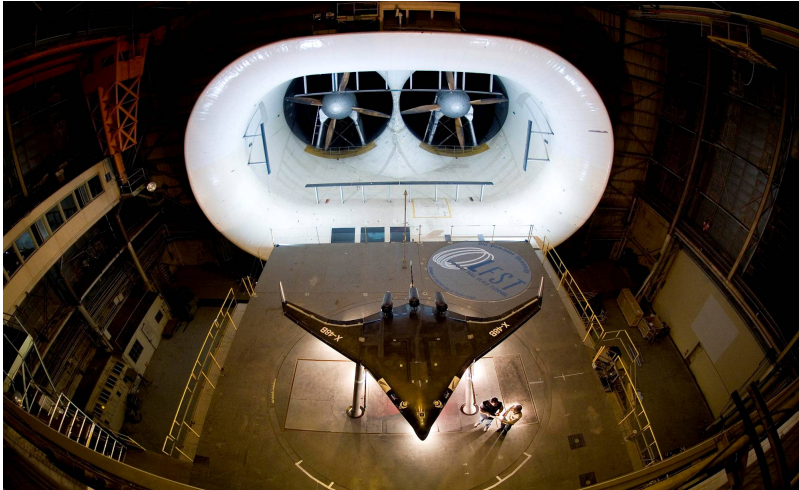


Aircraft Engineering Conference 1934 – Full Scale Tunnel
NASA Langley Research Center

5/23/1934

Image # EL-1996-00157

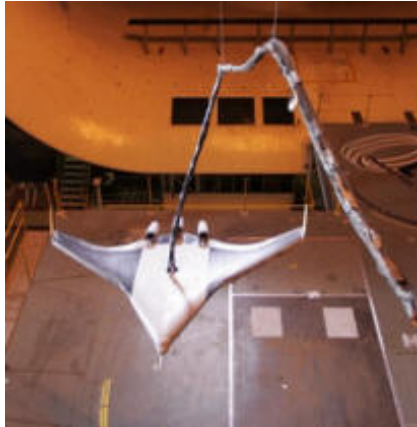
Langley Full Scale Tunnel (30 X 60 ft Tunnel)



Langley Full Scale Tunnel (30 X 60 ft Tunnel)



Langley Full Scale Tunnel (30 X 60 ft Tunnel)



Langley Full Scale Tunnel (30 X 60 ft Tunnel)



Langley Full Scale Tunnel (30 X 60 ft Tunnel)



Langley Full Scale Tunnel (30 X 60 ft Tunnel)



Outline
Introduction
Undergraduate years...
Graduate years...

Davis
Sports Biomechanics Lab
In my spare time..

University of California at Davis



Outline
Introduction
Undergraduate years...
Graduate years...

Davis
Sports Biomechanics Lab
In my spare time..

University of California at Davis



Outline
Introduction
Undergraduate years...
Graduate years...

Davis
Sports Biomechanics Lab
In my spare time..

University of California at Davis



Outline
Introduction
Undergraduate years...
Graduate years...

Davis
Sports Biomechanics Lab
In my spare time..

University of California at Davis



Outline
Introduction
Undergraduate years...
Graduate years...

Davis
Sports Biomechanics Lab
In my spare time..

University of California at Davis



Who advises my work?

Dr. Mont Hubbard



What do we do? - Past Research

Boomerang aerodynamics



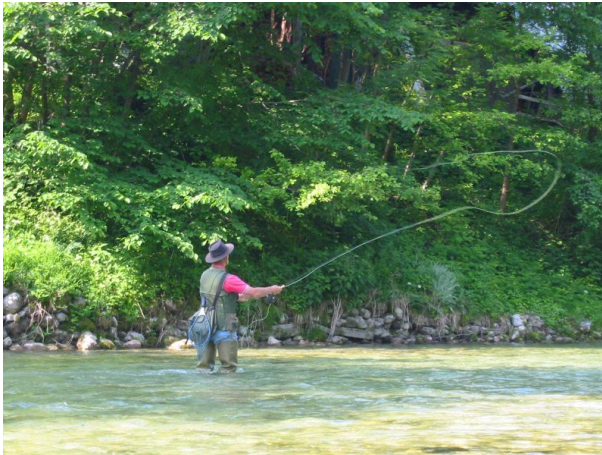
What do we do? - Past Research

Skateboard dynamics



What do we do? - Past Research

Flycasting dynamics



What do we do? - Past Research

Bobsled simulation



What do we do? - Past Research

Golf ball hole interaction



What do we do? - Past Research

Frisbee aerodynamics



What do we do? - Current Research

Safe ski jump design



What do we do? - Current Research

Basketball rim interaction



What do we do? - Current Research

Softball impact and aerodynamics



What do we do? - Current Research

Horse gallop dynamics



What do we do? - Current Research

Prosthesis walking dynamics



What do we do? - Current Research

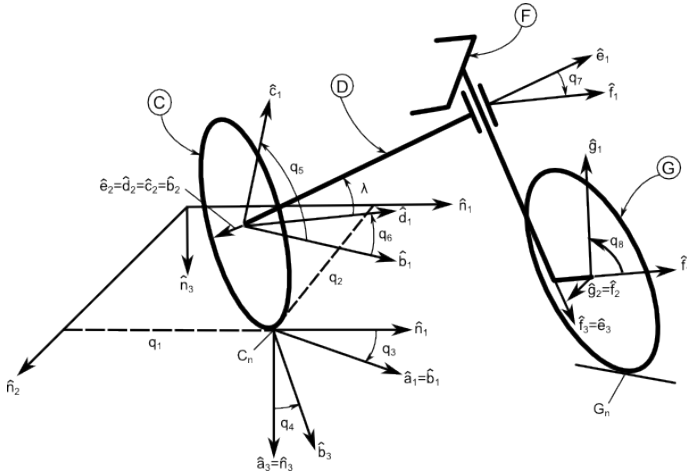
Bicycle dynamics, stability and control



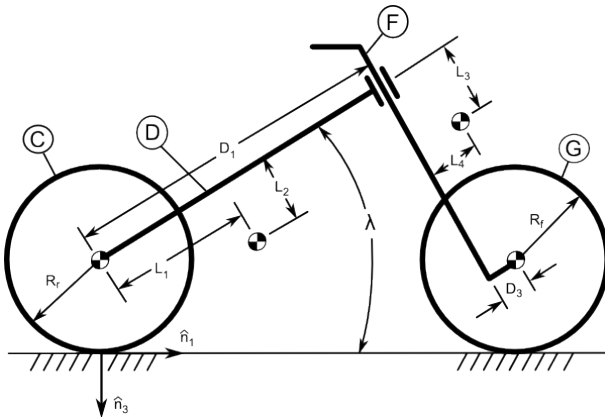
Research: Bicycle dynamics, stability and control



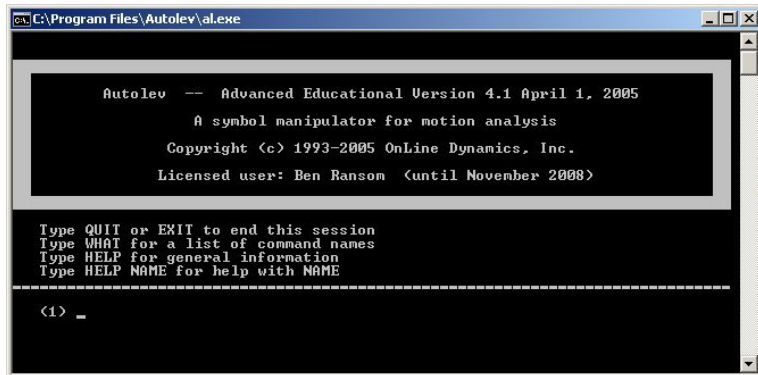
Research: Bicycle dynamics, stability and control



Research: Bicycle dynamics, stability and control



Research: Bicycle dynamics, stability and control



```
C:\Program Files\Autolev\al.exe

Autolev -- Advanced Educational Version 4.1 April 1, 2005
A symbol manipulator for motion analysis
Copyright (c) 1993-2005 OnLine Dynamics, Inc.
Licensed user: Ben Ransom <until November 2008>

Type QUIT or EXIT to end this session
Type WHAT for a list of command names
Type HELP for general information
Type HELP NAME for help with NAME
-----
<1> _
```

Outline

Introduction

Undergraduate years...

Graduate years...

Davis

Sports Biomechanics Lab

In my spare time..

Research



Davis Bike Church



Outline
Introduction
Undergraduate years...
Graduate years...

Davis
Sports Biomechanics Lab
In my spare time..

Davis Bike Church



Outline
Introduction
Undergraduate years...
Graduate years...

Davis
Sports Biomechanics Lab
In my spare time..

Davis Bike Church



Outline
Introduction
Undergraduate years...
Graduate years...

Davis
Sports Biomechanics Lab
In my spare time..

Davis Bike Church



Outline
Introduction
Undergraduate years...
Graduate years...

Davis
Sports Biomechanics Lab
In my spare time..

Davis Bike Church



Outline

Introduction

Undergraduate years...

Graduate years...

Davis

Sports Biomechanics Lab

In my spare time..

Davis Bike Church



Outline
Introduction
Undergraduate years...
Graduate years...

Davis
Sports Biomechanics Lab
In my spare time..

Davis Bike Church



Outline

Introduction

Undergraduate years...

Graduate years...

Davis

Sports Biomechanics Lab

In my spare time..

Pedal Desk



Outline
Introduction
Undergraduate years...
Graduate years...

Davis
Sports Biomechanics Lab
In my spare time..

Pedal Desk



Outline
Introduction
Undergraduate years...
Graduate years...

Davis
Sports Biomechanics Lab
In my spare time..

Pedal Desk



Outline
Introduction
Undergraduate years...
Graduate years...

Davis
Sports Biomechanics Lab
In my spare time..

Pedal Desk



Pedal Desk



Whirlwind Wheelchairs - Zambia



Whirlwind Wheelchairs - Zambia



Whirlwind Wheelchairs - Zambia



Outline

Introduction

Undergraduate years...

Graduate years...

Davis

Sports Biomechanics Lab

In my spare time..

Whirlwind Wheelchairs - Zambia



Outline
Introduction
Undergraduate years...
Graduate years...

Davis
Sports Biomechanics Lab
In my spare time..

Maya Pedal - Guatemala



Outline

Introduction

Undergraduate years...

Graduate years...

Davis

Sports Biomechanics Lab

In my spare time..

Maya Pedal - Guatemala



Maya Pedal - Guatemala



Fulbright - Delft, Netherlands

